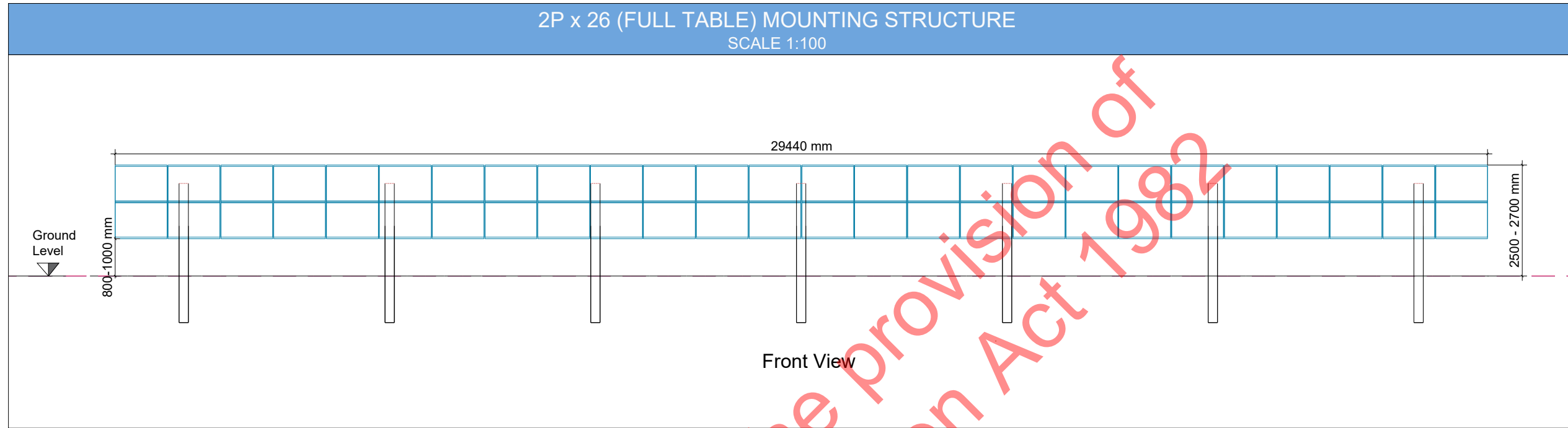
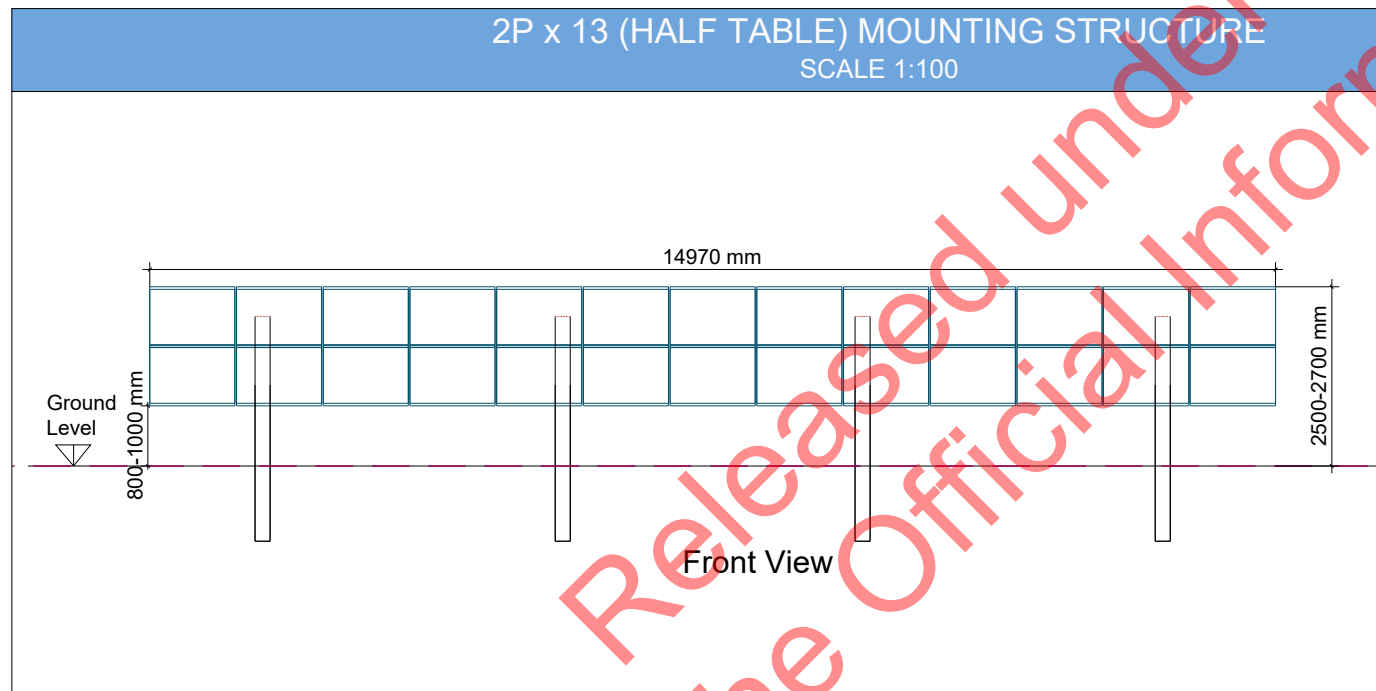


TECHNICAL DETAILS - MOUNTING STRUCTURE

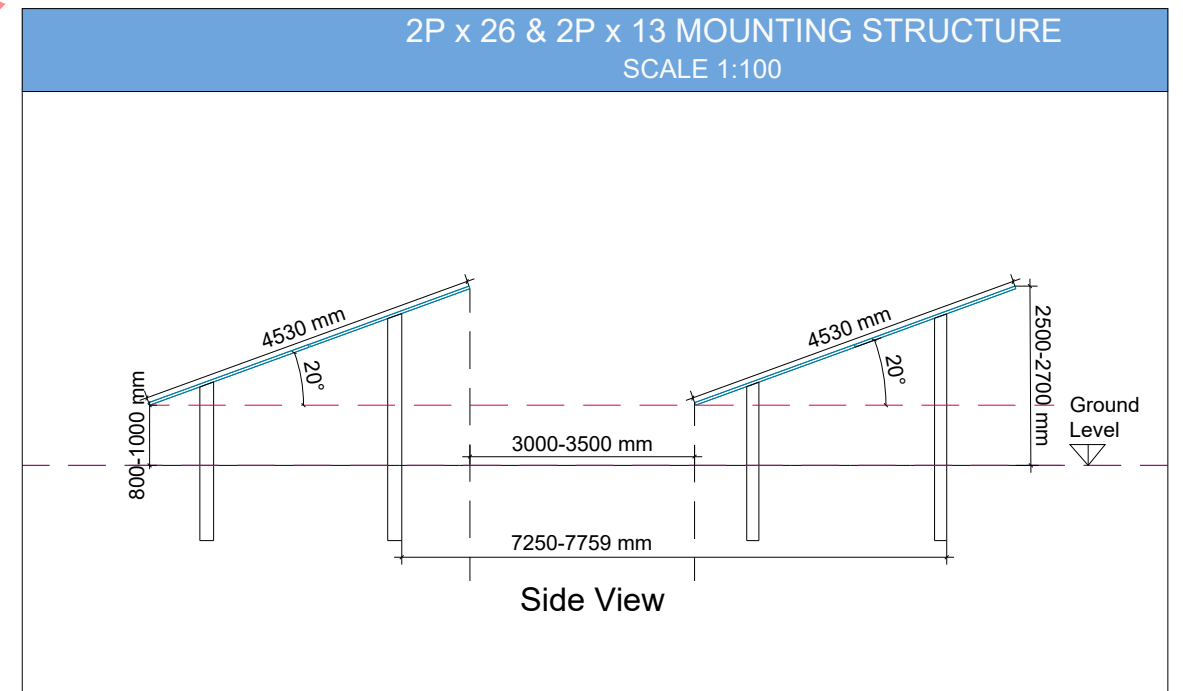
2P x 26 (FULL TABLE) MOUNTING STRUCTURE
SCALE 1:100



2P x 13 (HALF TABLE) MOUNTING STRUCTURE
SCALE 1:100



2P x 26 & 2P x 13 MOUNTING STRUCTURE
SCALE 1:100



* All dimensions shown are in millimeters and are approximate *

A3 - (420 x 297) mm

RO	SD	JR	JR	First Draft	11.08.2021
REV	DRAWN	REVIEWED	APPROVED	CHANGE	DATE

GreenEnco
3 Allington Road, Harrow,
London, HA2 6AJ
www.greenenco.co.uk

DRAWING TITLE: TECHNICAL DETAILS - MOUNTING STRUCTURE	DRAWING NUMBER:	APPROVAL STAMP: PL 004	SCALE: 1:100
PROJECT NAME & ADDRESS: Tauhei Solar Farm	CUSTOMER: HARMONY ENERGY	STATUS: PLANNING	FORMAT: DIN A3
			SHEET: 1/1