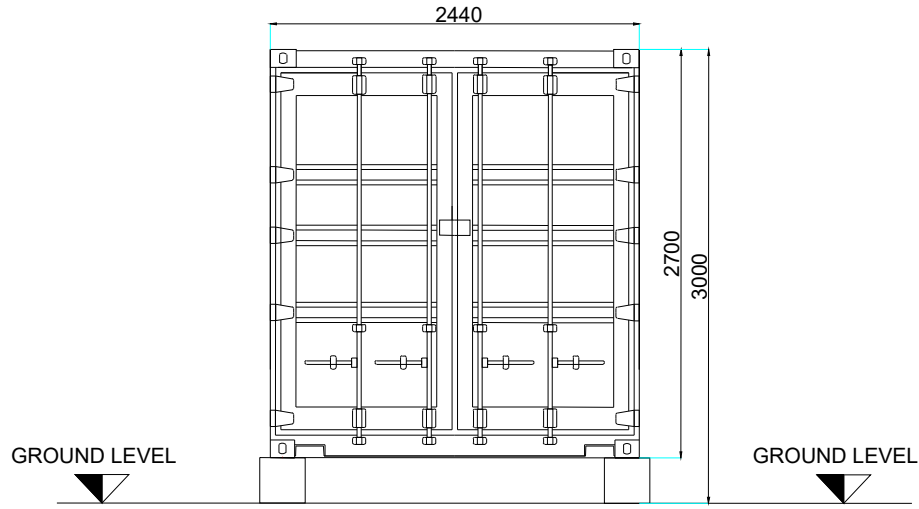


TECHNICAL DETAILS SPARE PART CONTAINER
SCALE 1:50, 1:50

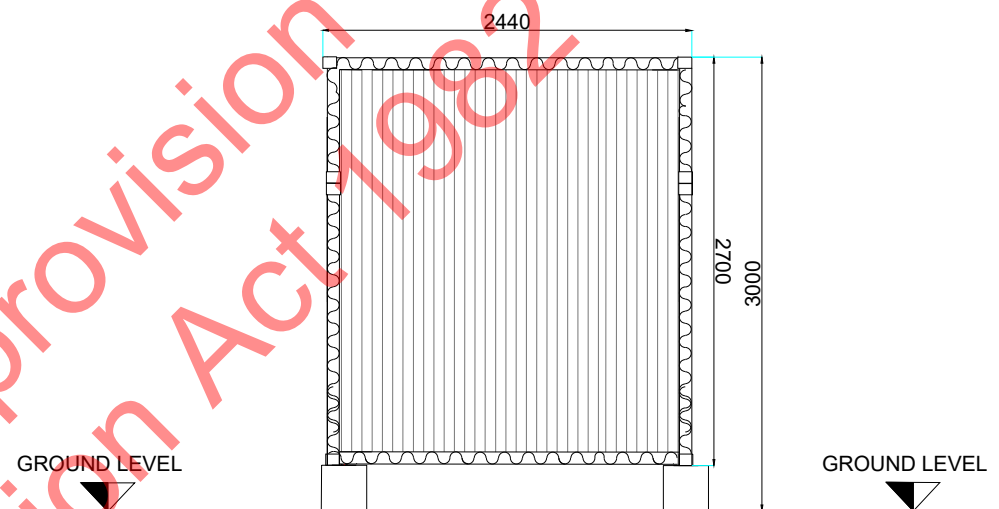
FRONT VIEW - SCALE 1: 50

Front View



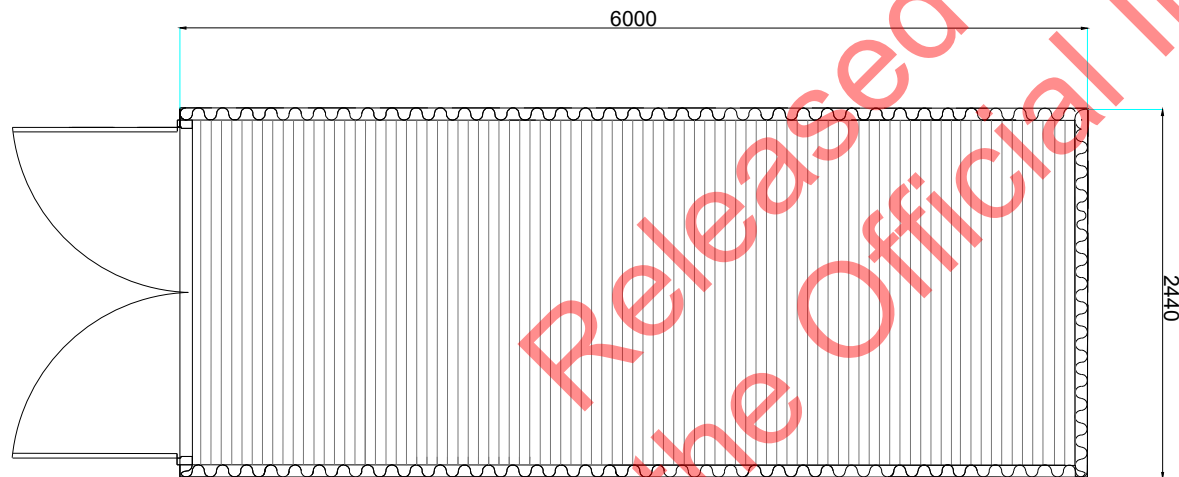
BACK VIEW - SCALE 1: 50

Back View



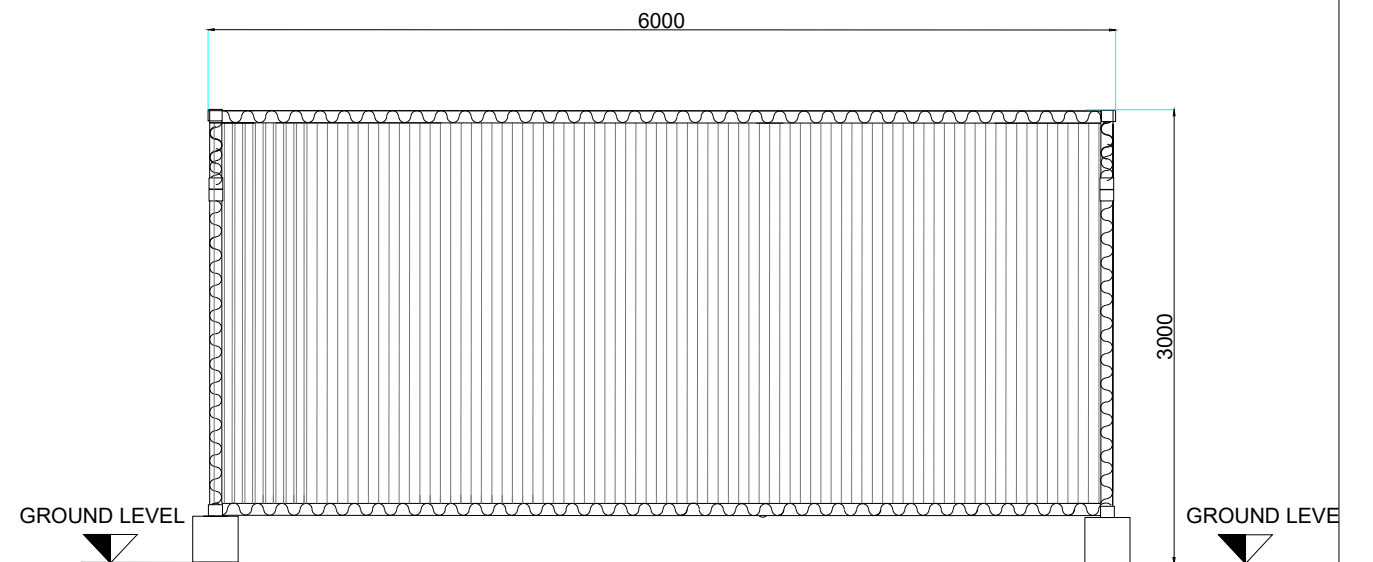
TOP VIEW - SCALE 1: 50

Top View



SIDE VIEWS - SCALE 1: 50

Side View



* All dimensions shown are in millimeters and are approximate *

A3 - (420 x 297) mm

R0	SB	SD	JR	First Draft	12.08.2021
REV	DRAWN	REVIEWED	APPROVED	CHANGE	DATE

GreenEnco
3 Allington Road, Harrow,
London, HA2 6AJ
www.greenenco.co.uk

DRAWING TITLE: TECHNICAL DETAILS - SPARE PART CONTAINER	DRAWING NUMBER: PL.007	APPROVAL STAMP: 	SCALE: 1:50 & 1:50
PROJECT NAME & ADDRESS: Tauhei Solar Farm	CUSTOMER: HARMONY ENERGY	STATUS: PLANNING	FORMAT: DIN A3
			SHEET: 1/1